

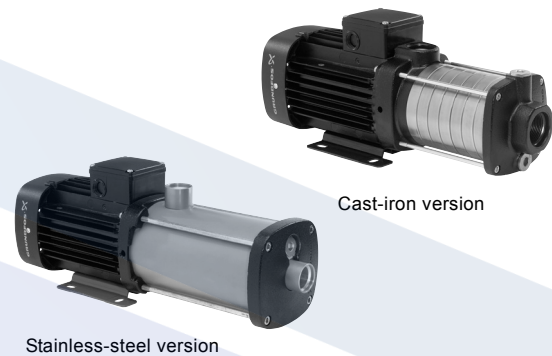
1. Product introduction

The Grundfos CM and CME pumps are horizontal, multistage, end-suction centrifugal pumps. The pumps are of the close-coupled type and available as either self-priming or non-self-priming pumps. CM pumps are fitted with mains-operated motors whereas the motor for CME pumps has an integrated frequency converter. Both CM and CME pumps have mechanical shaft seals.

The CM and CME pumps are available in these three material versions:

- cast iron (EN-GJL-200)*
 - stainless steel (EN 1.4301/AISI 304)
 - stainless steel (EN 1.4401/AISI 316).
- * The pump shaft, impeller, chamber and filling plugs are made of stainless steel (EN 1.4301/AISI 304).

CM



Stainless-steel version

Cast-iron version

TM05 1128 2211 - TM05 1129 2211

Fig. 1 Grundfos CM pumps

The CM pumps are unique products that have been developed in order to fulfil a wide variety of customer demands. The development of the pumps has resulted in no less than five patent applications.

The CM pumps are available in various sizes and numbers of stages to provide the flow and pressure required.

The CM pumps consist of two main components: the motor and the pump unit. The motor is a Grundfos motor designed to EN standards. The pump unit incorporates optimised hydraulics and offers various types of connections.

The pumps offer many advantages, some of which are listed below and described in detail in *Features and benefits* on page 10:

- compact design
- worldwide usage
- high reliability
- service friendly
- wide performance range
- low noise
- customised solutions.

EDUPUMP.IR

3. Applications

The CM and CME pumps are designed to cover a wide variety of applications, ranging from small domestic installations to large industrial systems. The pumps are therefore suitable for a wide diversity of pumping systems where the performance and material of the pump must meet specific demands.

Some of the most typical applications are mentioned below:

- washing and cleaning
- water treatment
- temperature control
- pressure boosting.

Washing and cleaning



Gr3572

Fig. 3 Washing and cleaning

CM and CME pumps can be used in washing and cleaning applications, which usually involve pumping of water containing soap or other cleaning agents.

Reference applications

Typical washing and cleaning applications:

- degreasing and washing of production equipment in industrial environments such as the food and beverage industry
- washing machines
- vehicle-washing tunnels
- mobile-washing units
- units for CIP (Cleaning In Place).

Water treatment



Gr7052

Fig. 4 Water treatment

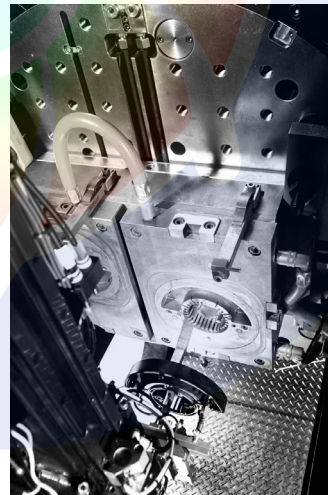
In water treatment plants, the water undergoes a process which makes it more suited for its end use. In this process, the CM and CME pumps can be utilised either as feed pumps or as booster pumps.

Reference applications

Typical water treatment applications:

- nano-, micro- and ultra-filtration systems
- softening, ionising, demineralising systems
- desalination systems
- distillation systems
- separators
- swimming baths.

Temperature control



GrA6288

Fig. 5 Temperature control

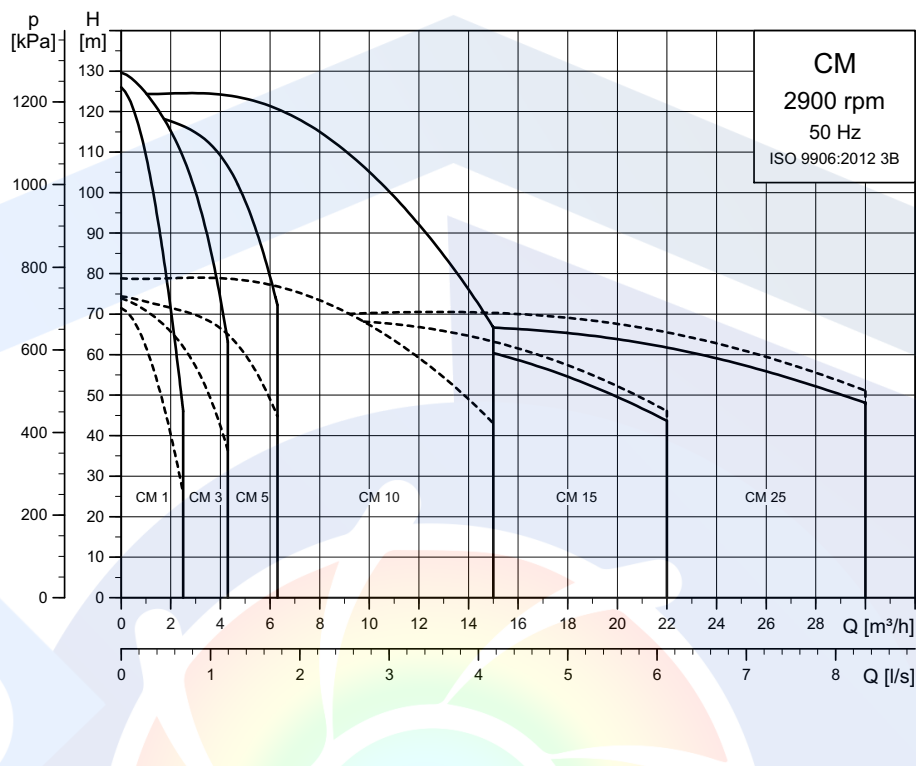
Temperature control involves applications where the CM and CME pumps circulate a liquid in a closed loop consisting of a heating or cooling element for optimising a process by means of temperature.

Temperature control is also chilling of equipment or food and beverage in the food production industry.

EDUPUMP

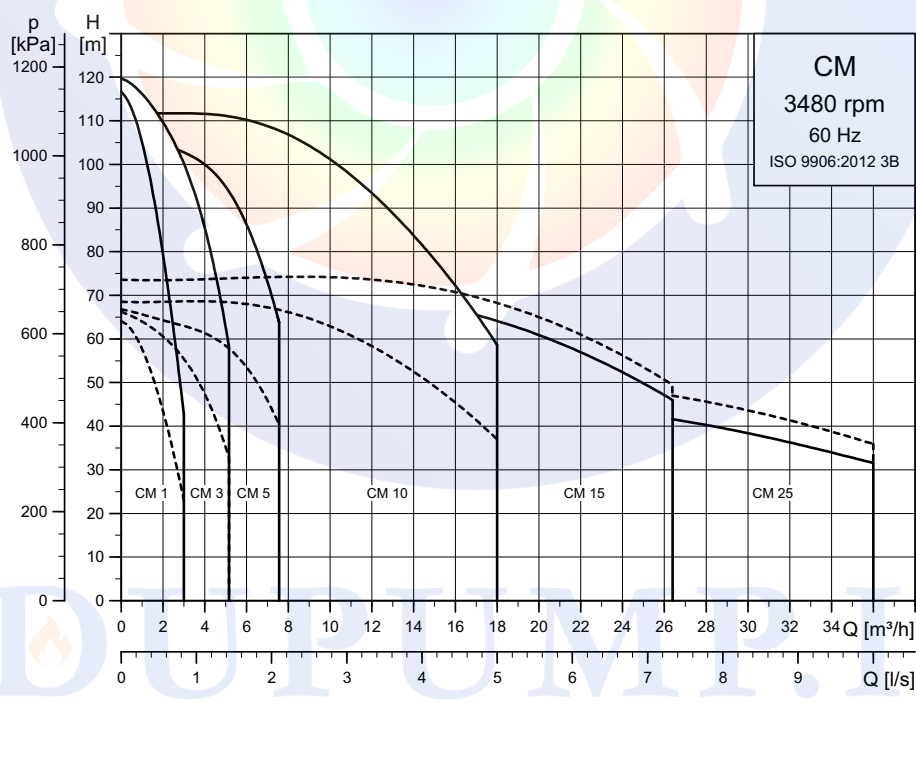
7. Performance range

CM, 50 Hz



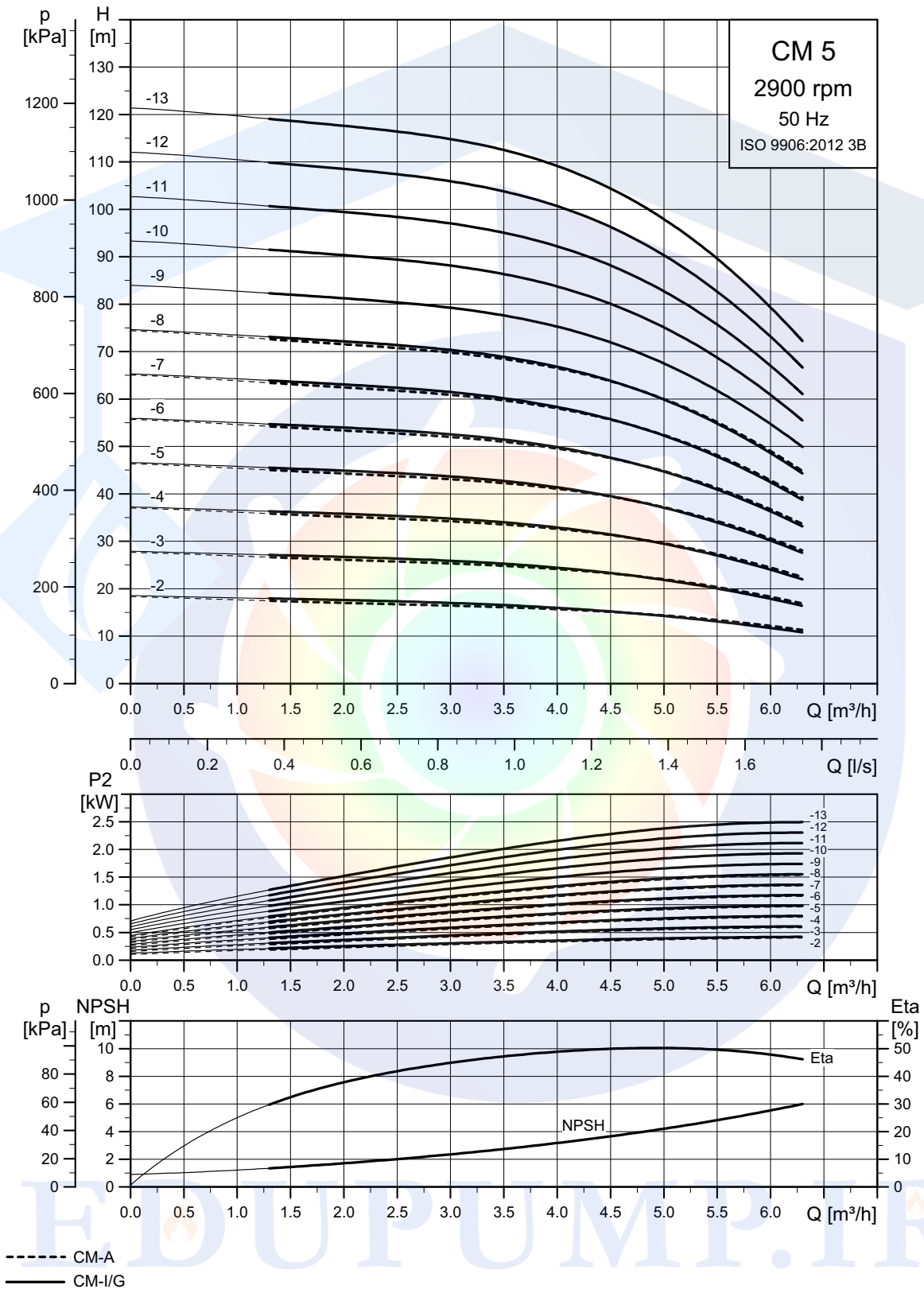
TM04 3340 4616

CM, 60 Hz



TM04 3369 4616

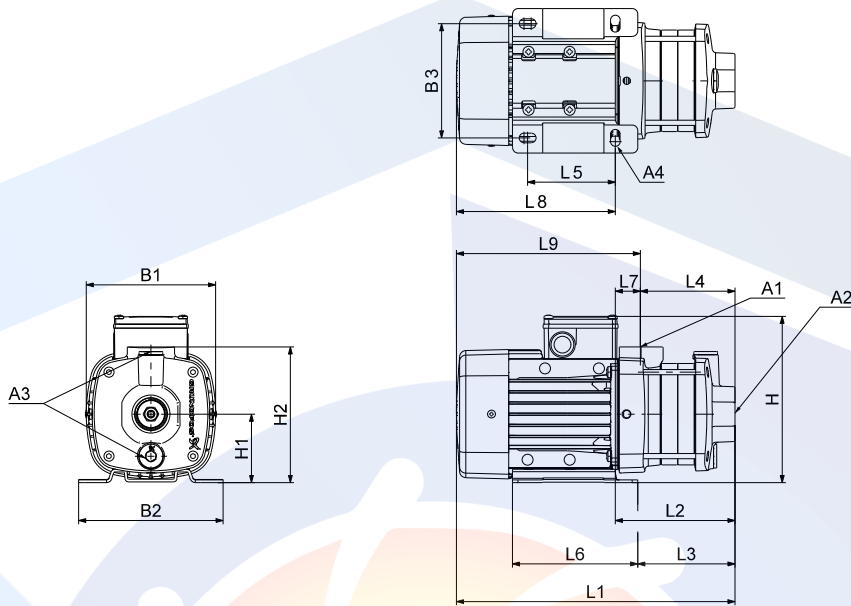
CM 5



TM04 3336 4616

CM 5-A

(A = cast iron EN-GJL-200)



TM06 7509 3616

Dimensions

3 x 220-240/380-415 V, 50 Hz (supply voltage F)

Pump type	Frame size	P ₂ [kW]	Dimensions [mm]																		
			A1	A2	A3	A4	B1	B2	B3	H	H1	H2	L1	L2	L3	L4	L5	L6	L7	L8	L9
CM 5-2	71	0.46	1"	1 1/4"	3/8"	10.5	141	158	125	184	75	149	286	112	88	85	96	137	27	174	201
CM 5-3	71	0.65	1"	1 1/4"	3/8"	10.5	141	158	125	184	75	149	304	130	106	103	96	137	27	174	201
CM 5-4	80	1.10	1"	1 1/4"	3/8"	10.5	141	158	125	184	75	149	382	148	124	121	96	137	27	234	261
CM 5-5	80	1.10	1"	1 1/4"	3/8"	10.5	141	158	125	184	75	149	400	166	142	139	96	137	27	234	261
CM 5-6	90	1.50	1"	1 1/4"	3/8"	10.0	178	178	140	200	90	201	456	231	216	144	125	155	88	224	312
CM 5-7	90	1.50	1"	1 1/4"	3/8"	10.0	178	178	140	200	90	201	474	249	234	162	125	155	88	224	312
CM 5-8	90	2.20	1"	1 1/4"	3/8"	10.0	178	178	140	200	90	201	533	268	253	180	125	155	89	264	353

1 x 220-240 V, 50 Hz (supply voltage C)

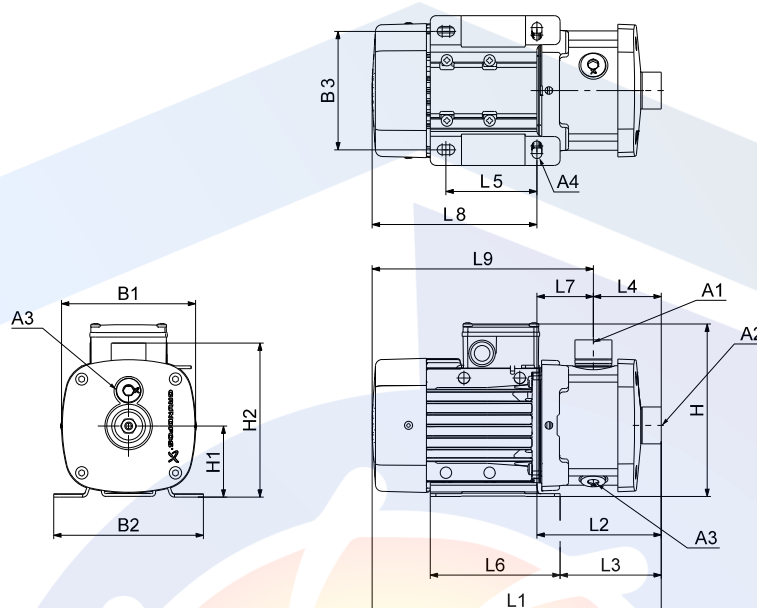
Pump type	Frame size	P ₂ [kW]	Dimensions [mm]																		
			A1	A2	A3	A4	B1	B2	B3	H	H1	H2	L1	L2	L3	L4	L5	L6	L7	L8	L9
CM 5-2	71	0.50	1"	1 1/4"	3/8"	10.5	141	158	125	208	75	149	286	112	88	85	96	137	27	174	201
CM 5-3	71	0.50	1"	1 1/4"	3/8"	10.5	141	158	125	208	75	149	304	130	106	103	96	137	27	174	201
CM 5-4	80	0.67	1"	1 1/4"	3/8"	10.5	141	158	125	208	75	151	362	148	124	121	96	137	27	214	241
CM 5-5	80	0.90	1"	1 1/4"	3/8"	10.5	141	158	125	208	75	151	380	166	142	139	96	137	27	214	241
CM 5-6	90	1.30	1"	1 1/4"	3/8"	10.0	178	178	140	229	90	201	456	231	216	144	125	155	88	224	312
CM 5-7	90	1.30	1"	1 1/4"	3/8"	10.0	178	178	140	229	90	201	474	249	234	162	125	155	88	224	312
CM 5-8	90	1.30	1"	1 1/4"	3/8"	10.0	178	178	140	229	90	201	492	267	252	180	125	155	88	224	312

All dimensions are in mm unless otherwise stated.

EDUPUMP.IR

CM 5-I and CM 5-G

(I = EN 1.4301/AISI 304 and G = EN 1.4401/AISI 316)



TM06 7507 3616

Dimensions

3 x 220-240/380-415 V, 50 Hz (supply voltage F)

Pump type	Frame size	P ₂ [kW]	Dimensions [mm]																		
			A1	A2	A3	A4	B1	B2	B3	H	H1	H2	L1	L2	L3	L4	L5	L6	L7	L8	L9
CM 5-2	71	0.46	1"	1 1/4"	3/8"	10.5	141	158	125	184	75	165	306	132	108	72	96	137	60	174	234
CM 5-3	71	0.65	1"	1 1/4"	3/8"	10.5	141	158	125	184	75	165	306	132	108	72	96	137	60	174	234
CM 5-4	80	1.10	1"	1 1/4"	3/8"	10.5	141	158	125	184	75	165	384	150	126	90	96	137	60	234	294
CM 5-5	80	1.10	1"	1 1/4"	3/8"	10.5	141	158	125	184	75	165	402	168	144	108	96	137	60	234	294
CM 5-6	90	1.50	1"	1 1/4"	3/8"	10.0	178	178	140	200	90	180	469	245	230	144	125	155	101	224	325
CM 5-7	90	1.50	1"	1 1/4"	3/8"	10.0	178	178	140	200	90	180	469	245	230	144	125	155	101	224	325
CM 5-8	90	2.20	1"	1 1/4"	3/8"	10.0	178	178	140	200	90	180	546	282	267	180	125	155	102	264	366
CM 5-9	90	2.20	1"	1 1/4"	3/8"	10.0	178	178	140	200	90	180	546	282	267	180	125	155	102	264	366
CM 5-10	90	2.20	1"	1 1/4"	3/8"	10.0	178	178	140	200	90	180	582	318	303	216	125	155	102	264	366
CM 5-11	90	2.20	1"	1 1/4"	3/8"	10.0	178	178	140	200	90	180	582	318	303	216	125	155	102	264	366
CM 5-12	100	3.00	1"	1 1/4"	3/8"	12.0	198	199	160	220	100	190	651	378	363	270	140	170	108	273	381
CM 5-13	100	3.00	1"	1 1/4"	3/8"	12.0	198	199	160	220	100	190	651	378	363	270	140	170	108	273	381

1 x 220-240 V, 50 Hz (supply voltage C)

Pump type	Frame size	P ₂ [kW]	Dimensions [mm]																		
			A1	A2	A3	A4	B1	B2	B3	H	H1	H2	L1	L2	L3	L4	L5	L6	L7	L8	L9
CM 5-2	71	0.50	1"	1 1/4"	3/8"	10.5	141	158	125	208	75	165	306	132	108	72	96	137	60	174	234
CM 5-3	71	0.50	1"	1 1/4"	3/8"	10.5	141	158	125	208	75	165	306	132	108	72	96	137	60	174	234
CM 5-4	80	0.67	1"	1 1/4"	3/8"	10.5	141	158	125	208	75	165	364	150	126	90	96	137	60	214	274
CM 5-5	80	0.90	1"	1 1/4"	3/8"	10.5	141	158	125	208	75	165	382	168	144	108	96	137	60	214	274
CM 5-6	90	1.30	1"	1 1/4"	3/8"	10.0	178	178	140	229	90	180	469	245	230	144	125	155	101	224	325
CM 5-7	90	1.30	1"	1 1/4"	3/8"	10.0	178	178	140	229	90	180	469	245	230	144	125	155	101	224	325
CM 5-8	90	1.30	1"	1 1/4"	3/8"	10.0	178	178	140	229	90	180	505	281	266	180	125	155	101	224	325
CM 5-9	90	1.90	1"	1 1/4"	3/8"	10.0	178	178	140	229	90	180	505	281	266	180	125	155	101	224	325
CM 5-10	90	1.90	1"	1 1/4"	3/8"	10.0	178	178	140	229	90	180	541	317	302	216	125	155	101	224	325
CM 5-11	90	1.90	1"	1 1/4"	3/8"	10.0	178	178	140	229	90	180	541	317	302	216	125	155	101	224	325

All dimensions are in mm unless otherwise stated.



EDUPUMP
WWW.EDUPUMP.IR

اولین و بزرگترین

سایت تخصصی سیستم‌های پمپاژ
با امکان محاسبه آنلاین و انتخاب پمپ

تولید بوستر پمپ آتش نشانی

در کلاس‌های S3 - S2 - S1
مورد تایید سازمان آتش نشانی تهران



اولین و بزرگترین مرجع انتخاب آنلاین سیستم‌های پمپاژ

انتخاب آنلاین انواع بوستر پمپ

انتخاب آنلاین انواع پمپ

ارائه مطالب تخصصی

اولین سایت مرجع

انتخاب آنلاین پمپ

در حوزه‌های:

ایمنی و آتش نشانی
آب و فاضلاب
صنایع غذایی
استخر
صنعت
معدن



تولید بوستر پمپ

آبرسانی دور متغیر

بدون محدودیت برند



آموزش

تهویه و تخلیه دود
سیستم‌های پمپاژ
ایمنی معماری
اطفاء حریق
اعلام حریق

مشاوره - طراحی - اجراء

تاسیسات مکانیکی (موتورخانه - استخر)
تهویه و تخلیه دود
سیستم‌های پمپاژ
ایمنی معماری
اعلام حریق
اطفاء حریق

تهران، سعدی شمالی، خیابان مرادی نور، پلاک ۳۱

تلفن: ۰۲۱-۷۷۶۸۶۹۶۶ فکس: ۰۲۱-۷۷۶۷۸۶۵۹

EDUPUMP.IR

WWW.EDUPUMP.IR